



Local expertise in industrial processes

Our company

Since 2010, TJMI has been working alongside you in the search for industrial solutions for the development and improvement of your production tool.

We offer you the expertise and responsiveness of a company on a human scale, specializing in the design, manufacturing, integration and maintenance of complete production lines made up of special stainless steel machines and access and security equipment.

Facilitator and provider of solutions, we offer support combining the integration of solutions optimized by an industrial process adapted to your needs with the aim of achieving the efficiency of the production process, its ergonomics, its security and its compliance.



FRANCE

Quessoy (22)



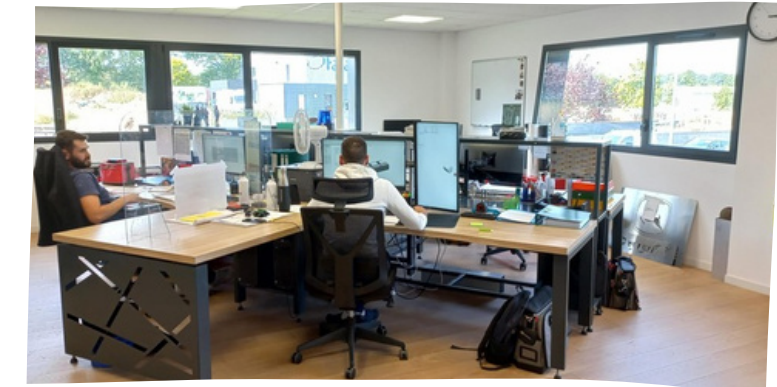
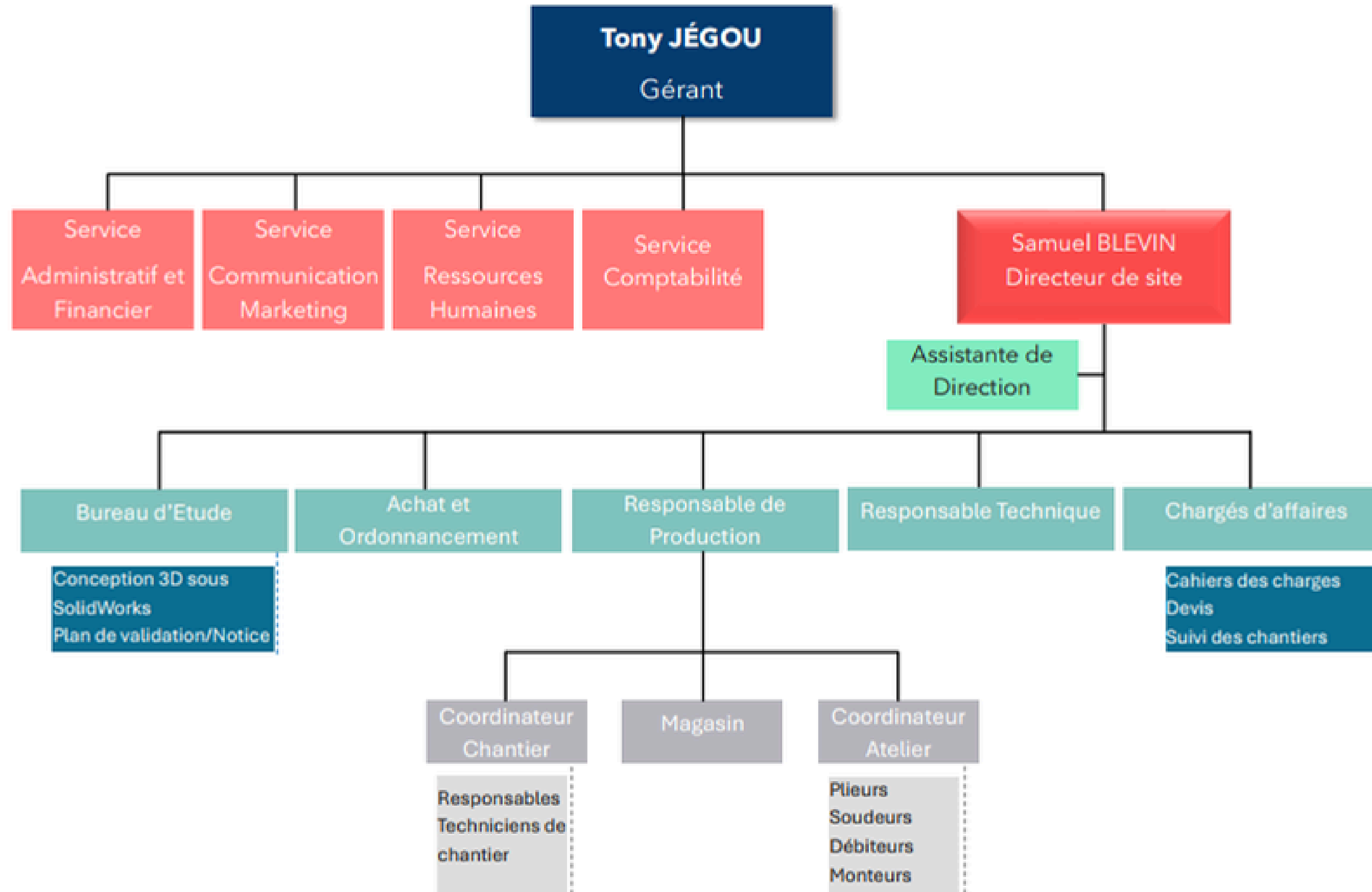
Some figures

44 EMPLOYEES

4000 M² OF WORKSHOP

More than **15** years of experience

Our team



Our production tools

4000 m² of production workshop including:
600 m² process area
400 m² machining area

- 2 digital stop saws
- 2 folders AMADA 220 et 130 tons
- 1 shear AMADA
- Stripping station
- 1 bender
- 1 rolling machine
- 12 welding stations



New MACHINING zone 2025





Our expertises



INDUSTRIAL PROCESS PRODUCTION LINES

ROBOTIZATION

SPECIAL MACHINES

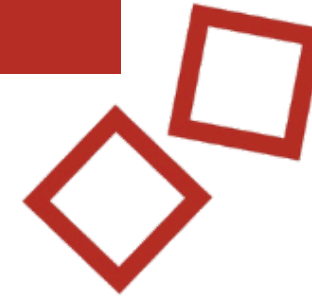
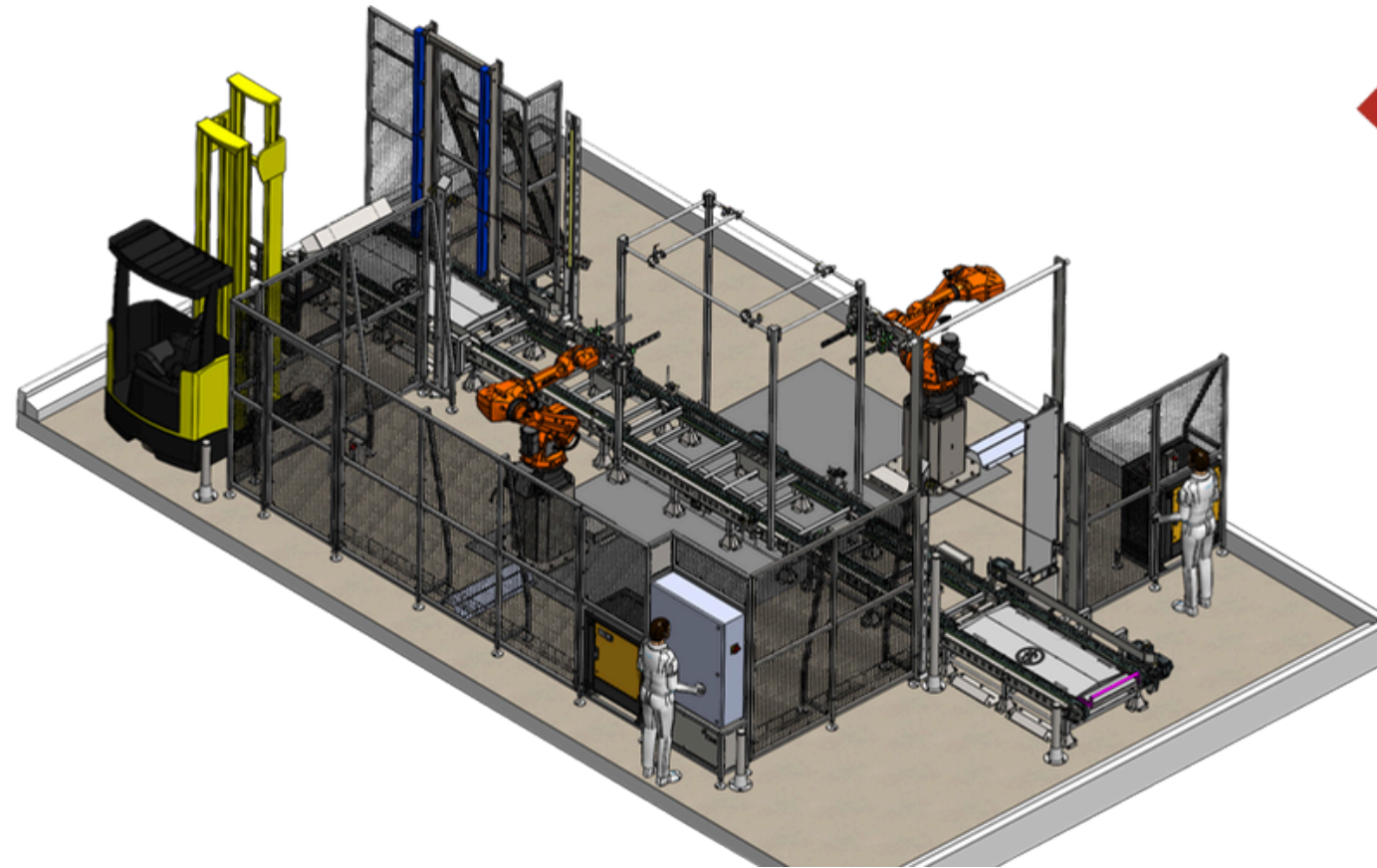
MACHINING

INDUSTRIAL WALKWAYS

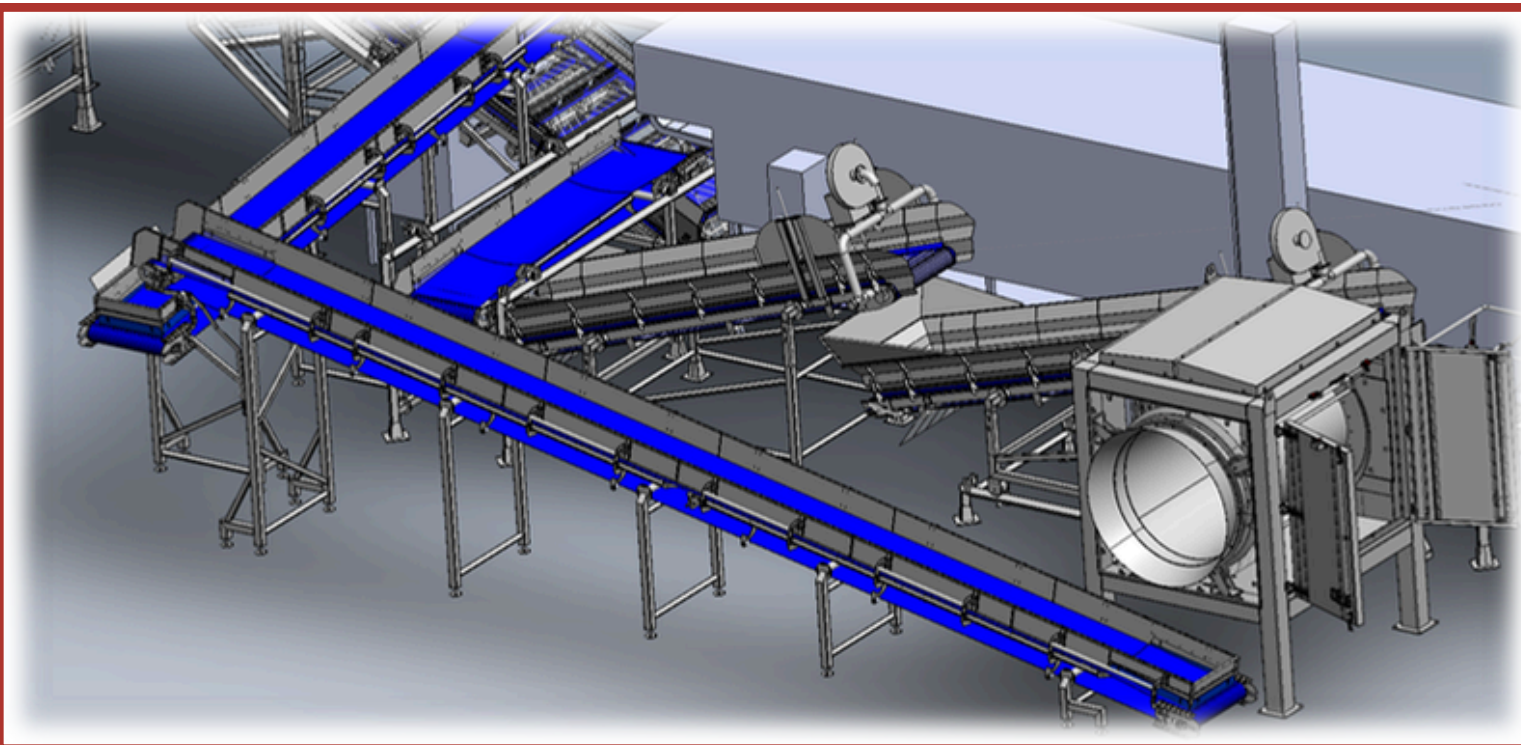
COMPLIANCE - SECURITY

INDUSTRIAL PROCESS PRODUCTION LINES

We support you in improving your production processes. Installation of new lines, optimization of existing lines.



Our team innovates and provides you with technical solutions specifically adapted to your needs.

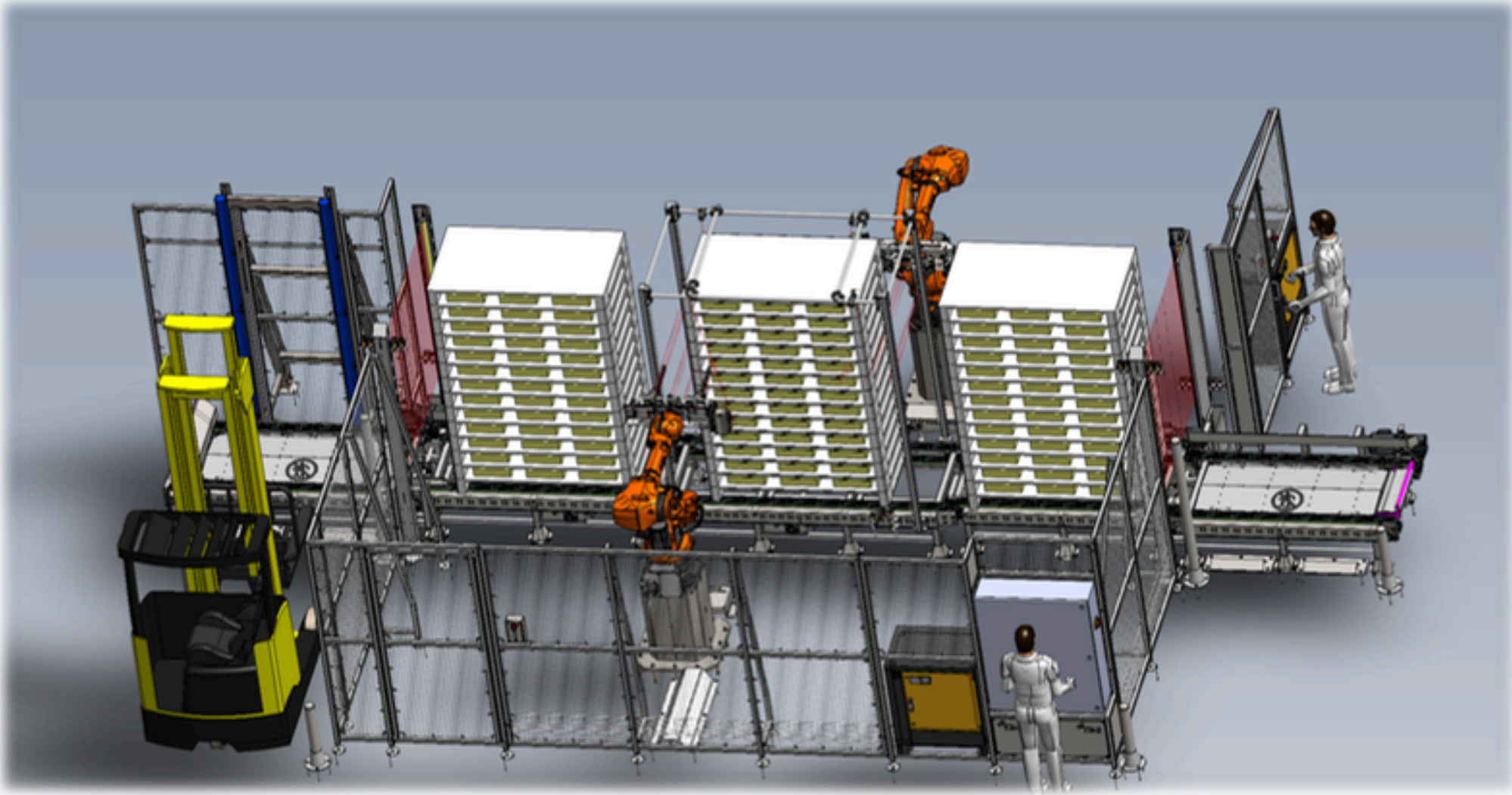
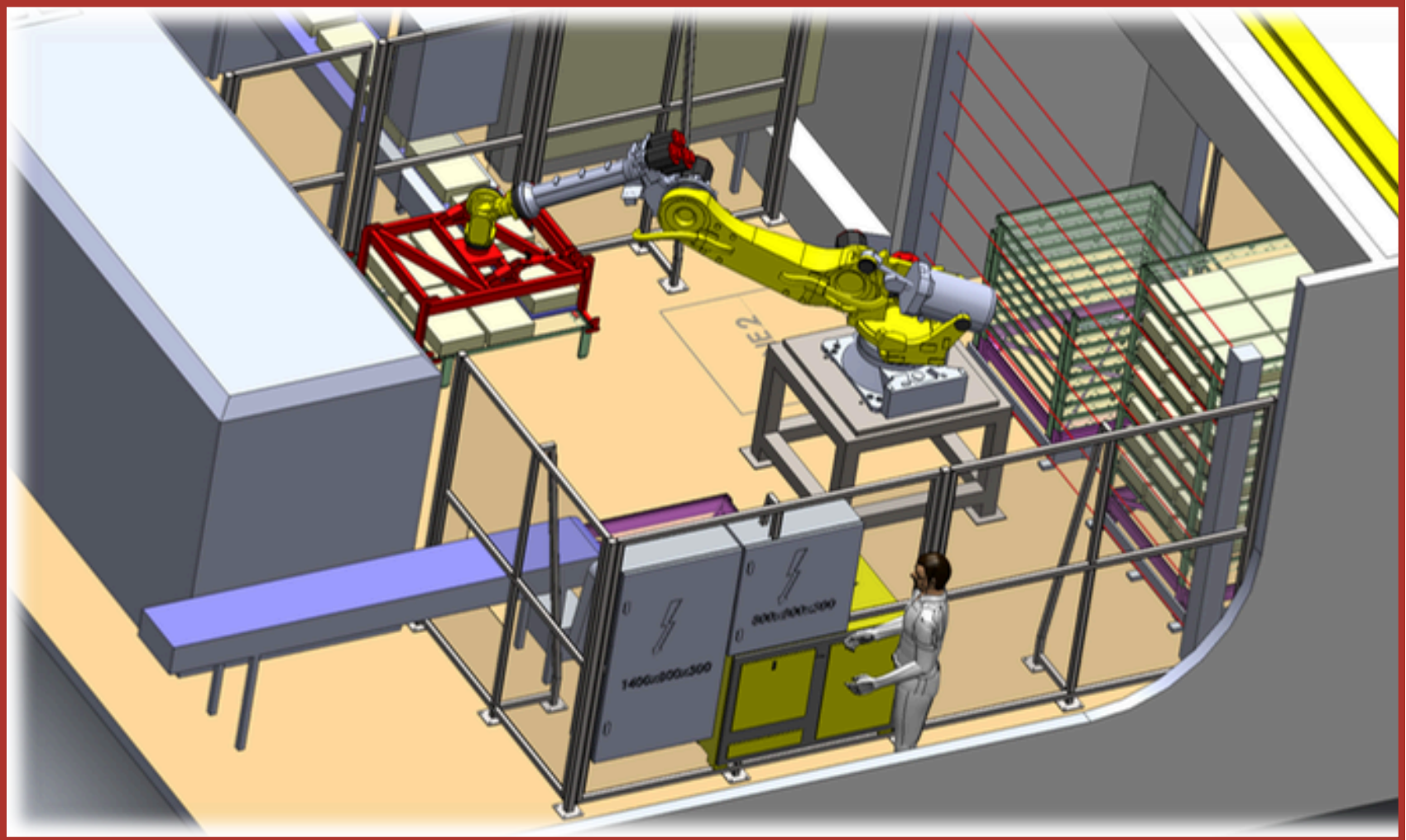


We improve or create your production lines. From complete projects to partial projects, we adapt to your needs and create tailor-made products: special machines, robotization, tailor-made conveyors, security, we can take care of your entire production line. From design, manufacturing, on-site integration and maintenance: **a single provider for greater fluidity and responsiveness.**

ROBOTIZATION

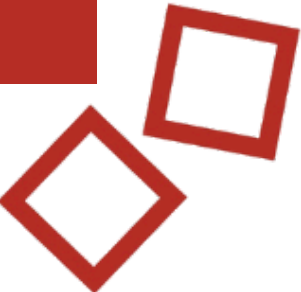
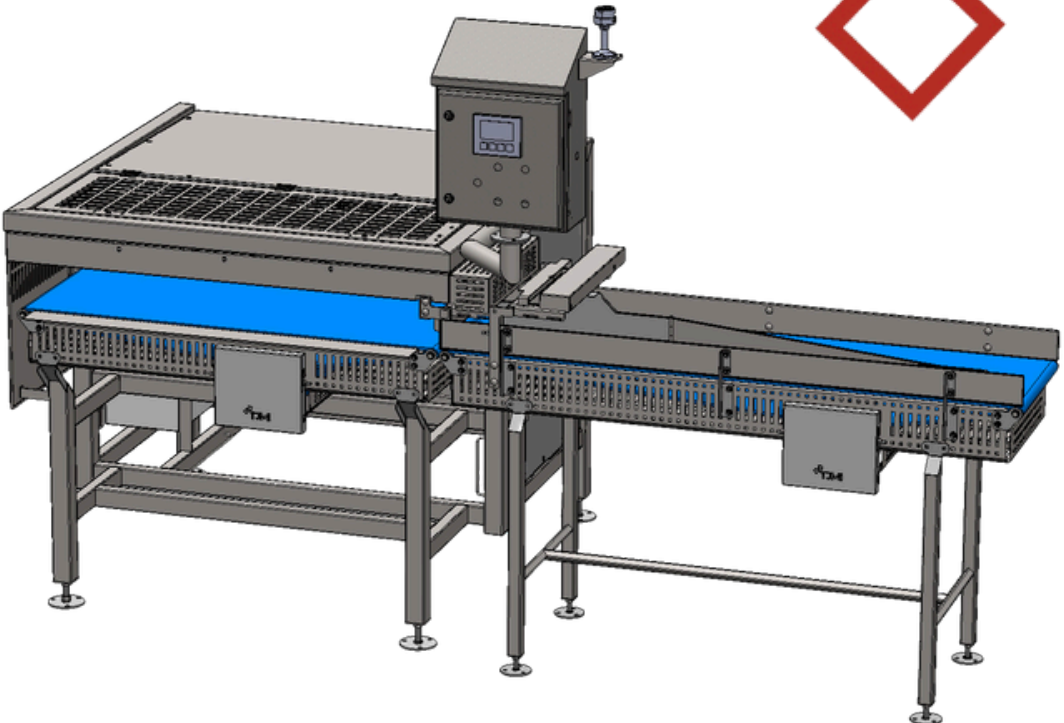
Lean on our know-how to robotize and automate repetitive or TMS-risk tasks.

Our solutions, perfectly integrated into a global industrial process previously assessed by our services, will allow you to optimize the efficiency of your production line.

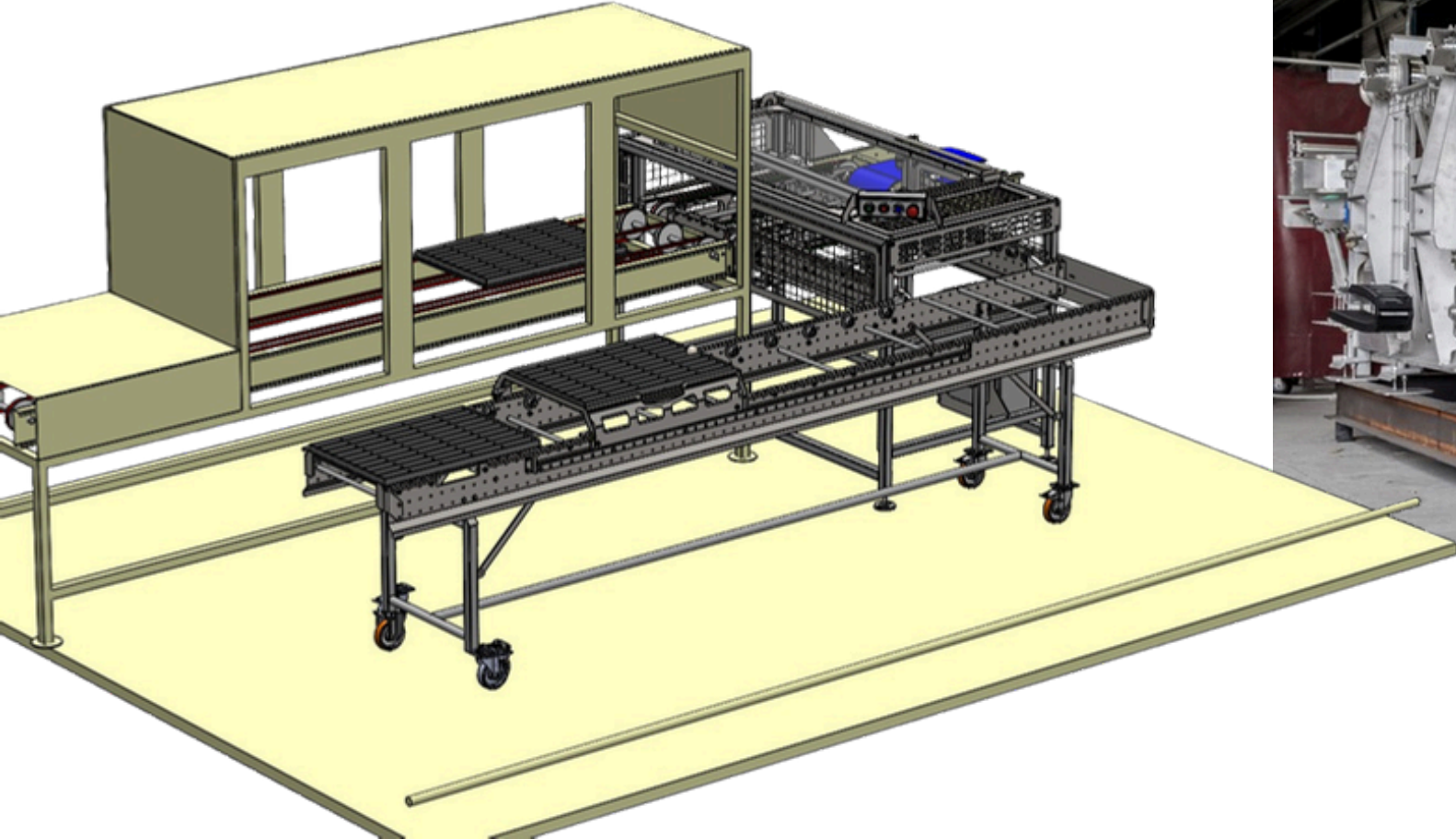


SPECIAL MACHINES

Custom design of special machines perfectly suited to your needs. Adaptation to existing conditions in order to optimize the efficiency of your production line.



^ Counting line: elevation, counting, removal



^ Cheese turning line

MACHINING

Even more responsiveness and fluidity by reducing the number of workers thanks to the creation, internally, of a machining department.



HAAS ST20Y

CN 3 axes - Ø210x572

Bar passage Ø63,5mm

+ rotating tools



HAAS VF4SS + TRT210

Machining center 3 axes – 1270x508x365

+ rotary table 5 axes Ø210

HAAS DS30Y + Embarreur

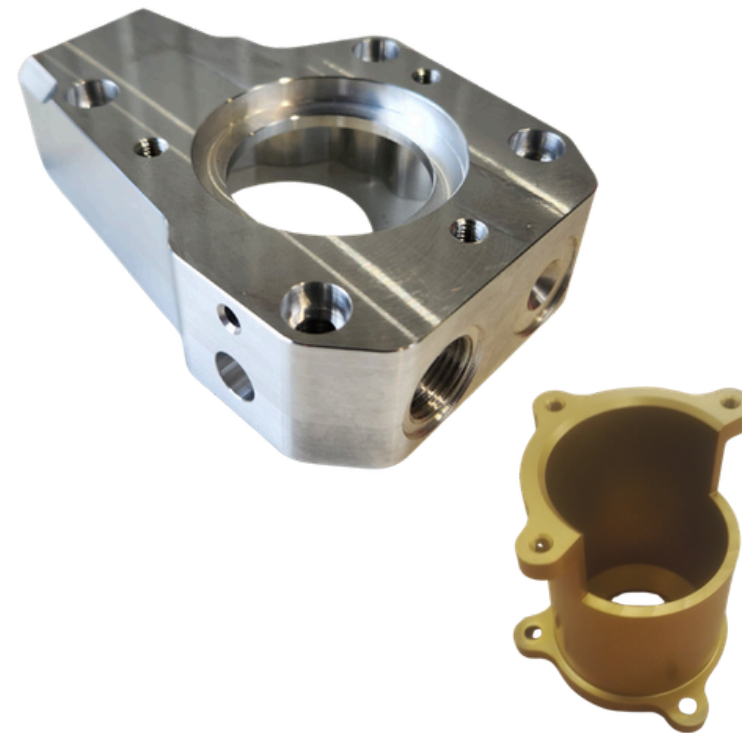
CN 3 axes double spindle lathe – Ø250x820

Bar passage Ø76

Cazeneuve HBY590

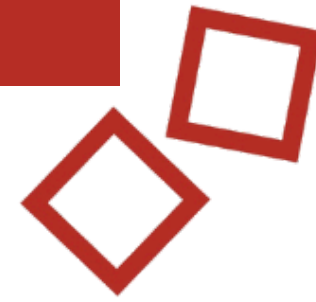
Conventional machining lathe 2 axes –

Ø300x1100 - Bar passage Ø60mm

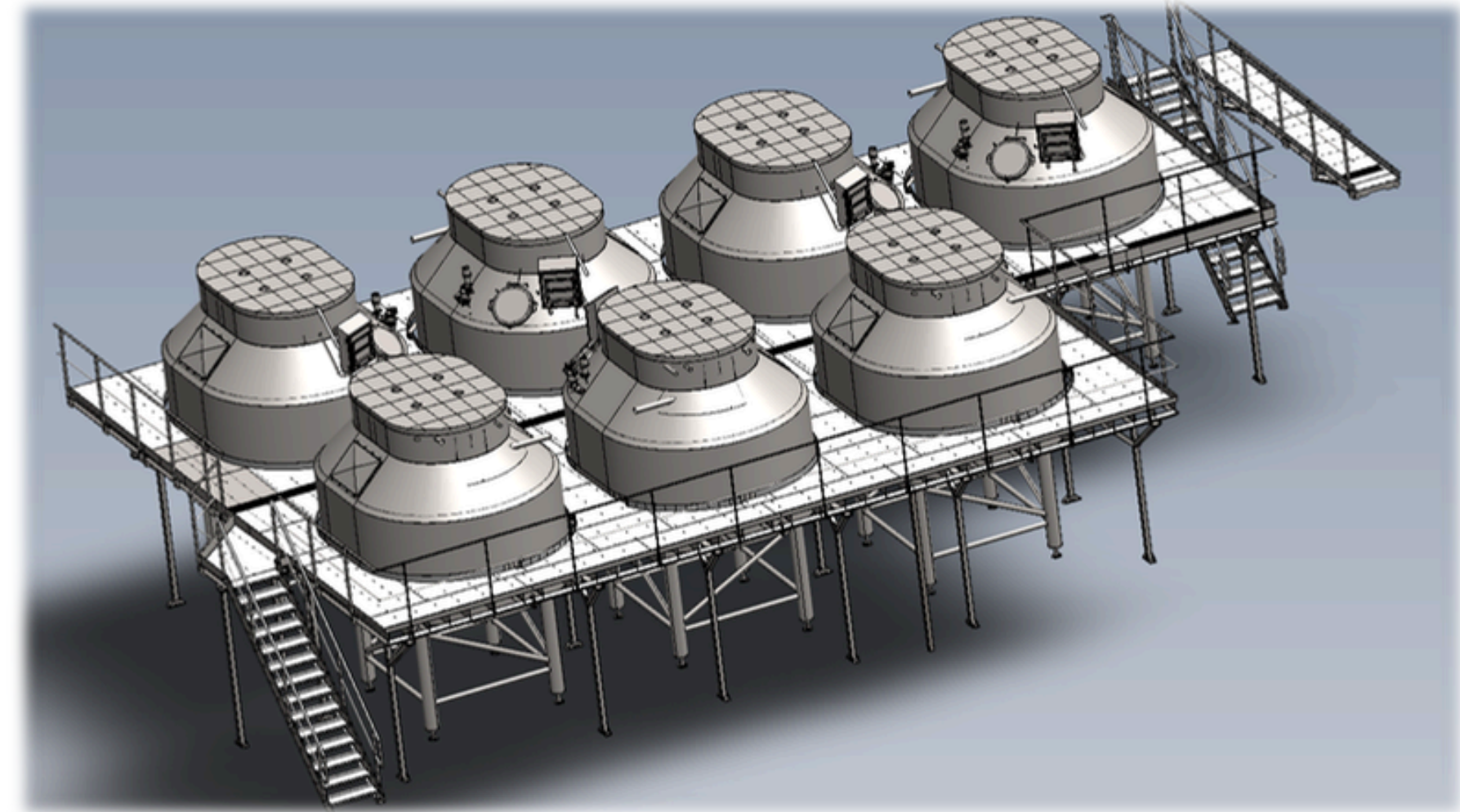


INDUSTRIAL WALKWAYS

Gateway specialists since 2010, we design, manufacture and install your tailor-made projects on site, adapted to your needs and existing ones if necessary.



Cheese vats walkway

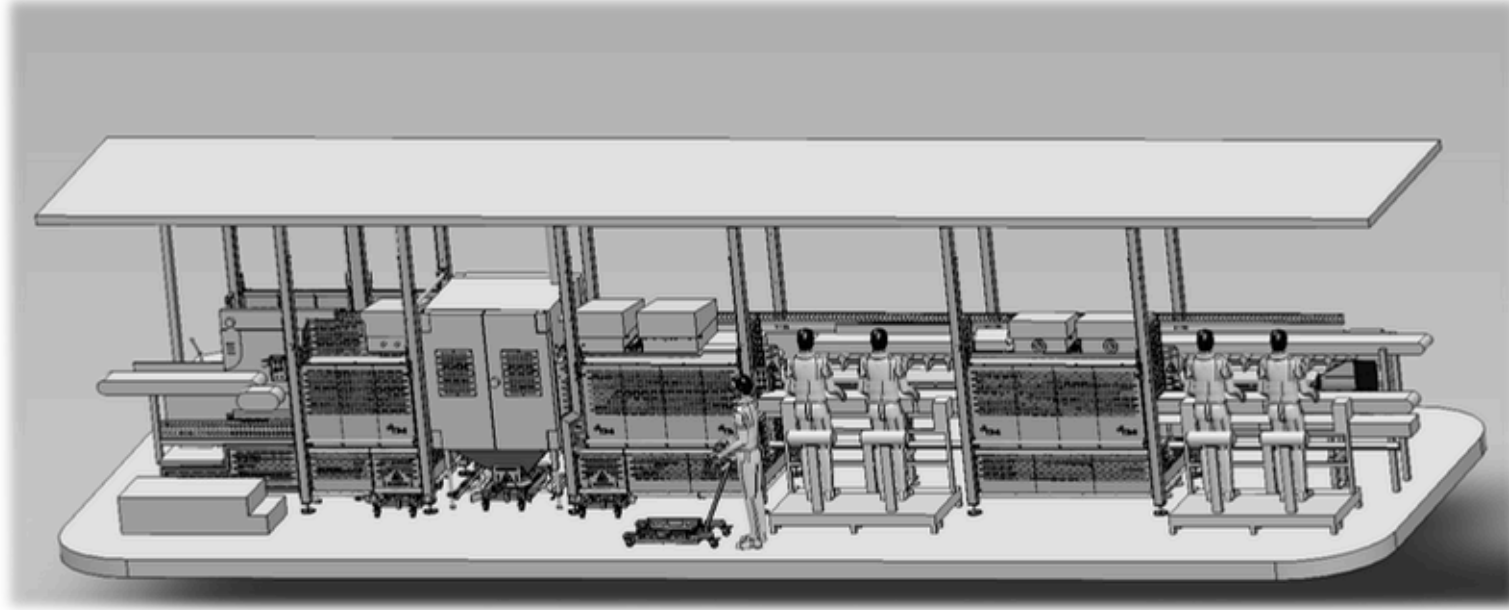


Pre-assembly in our workshops, with:

- Boilermaking
- Handling
- Pipefitter
- Automation

Disassembly and reassembly at the customer's premises.

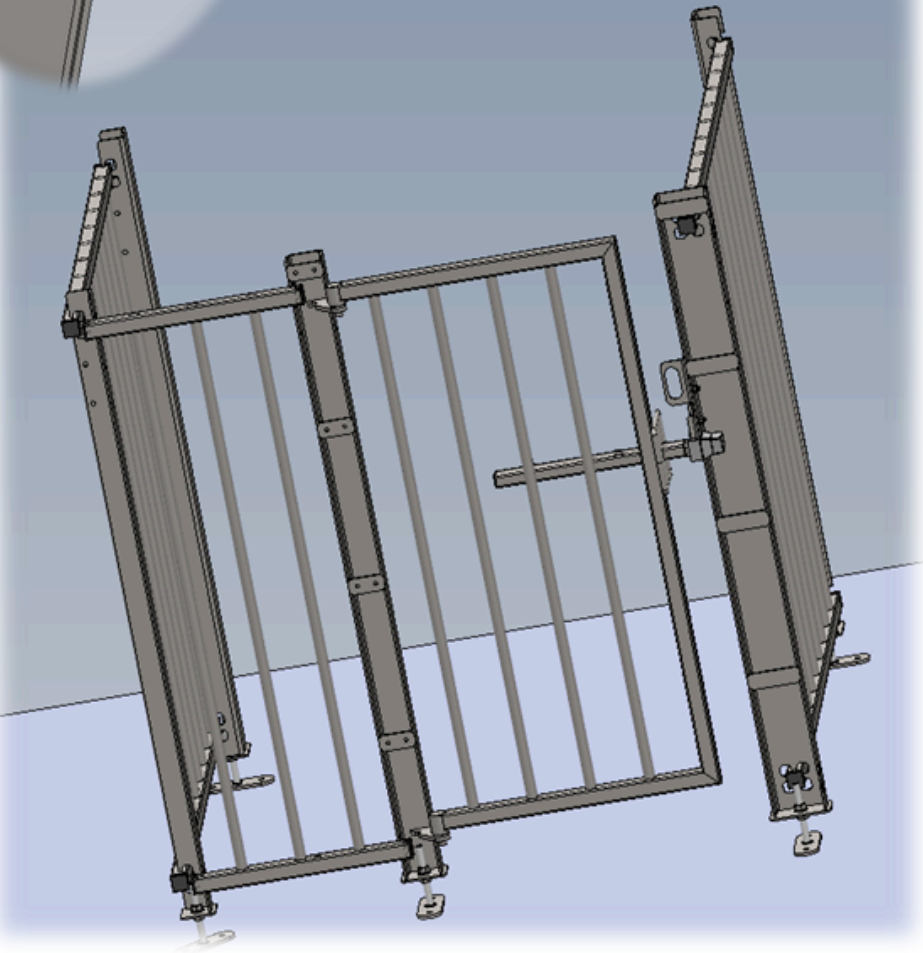
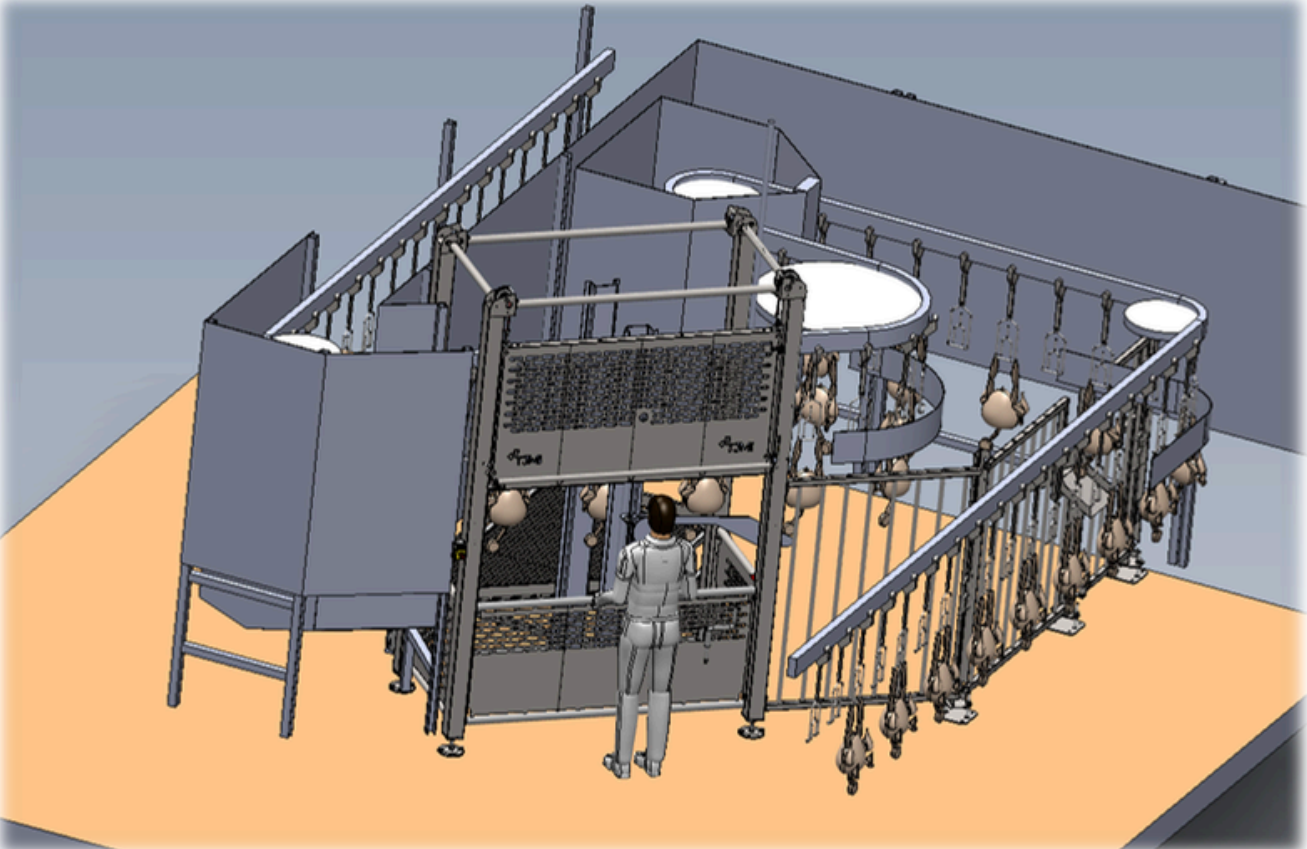
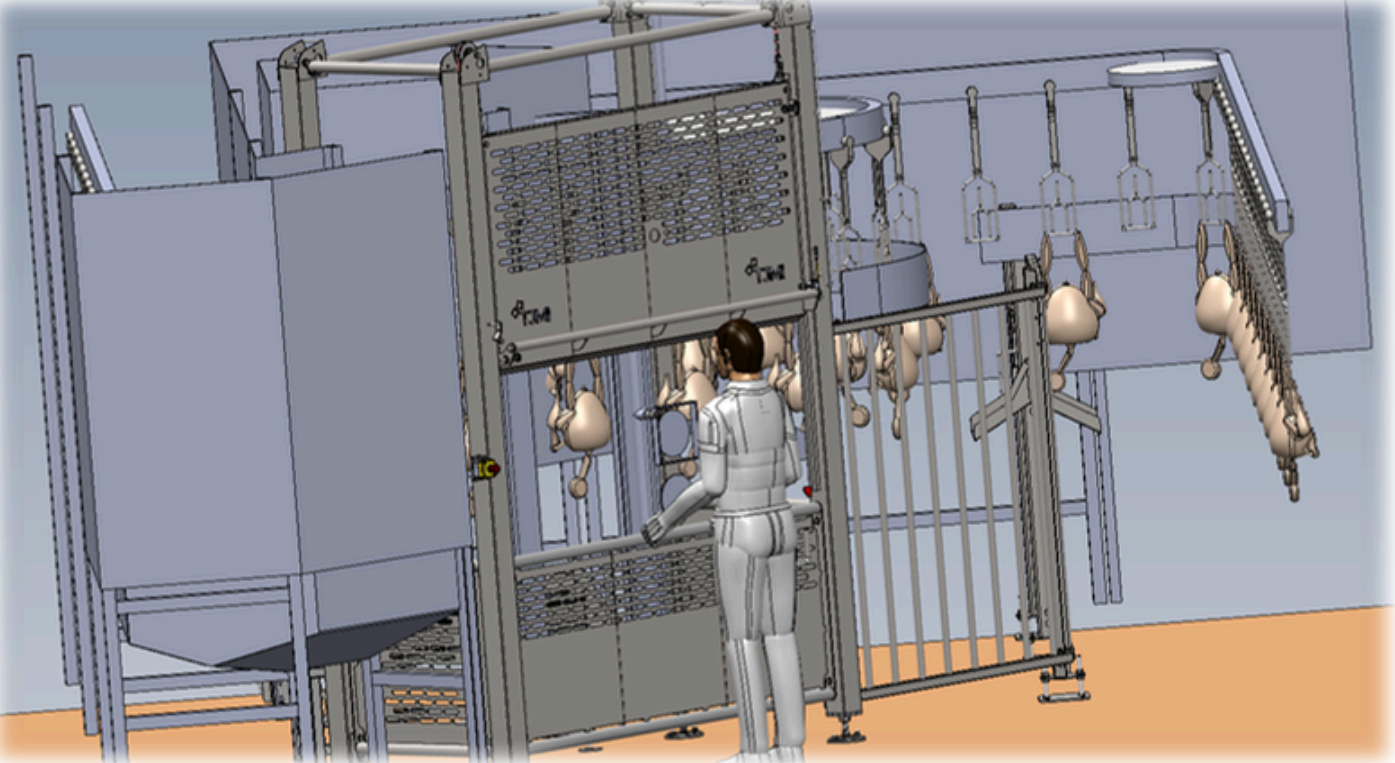
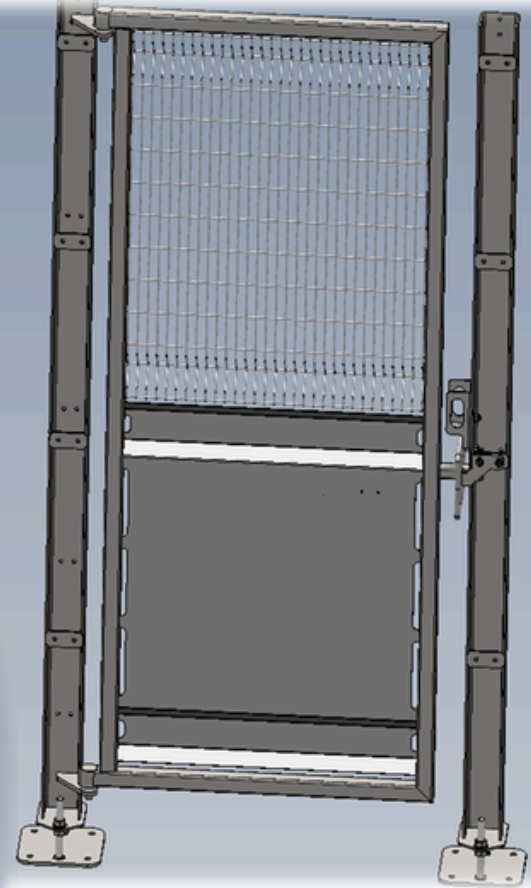
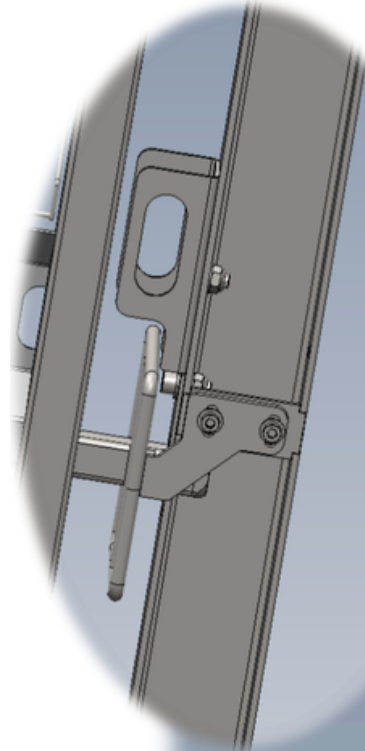
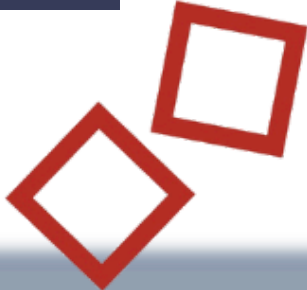
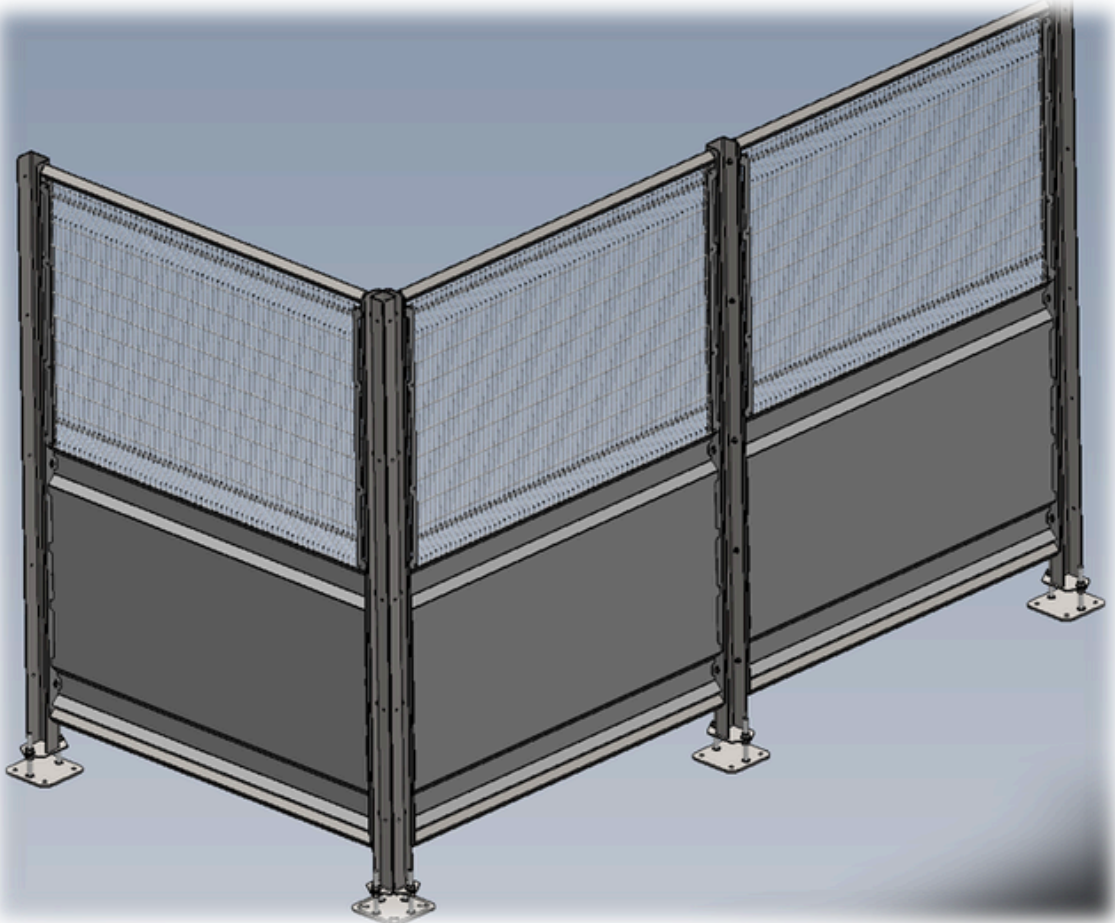
COMPLIANCE - SECURITY



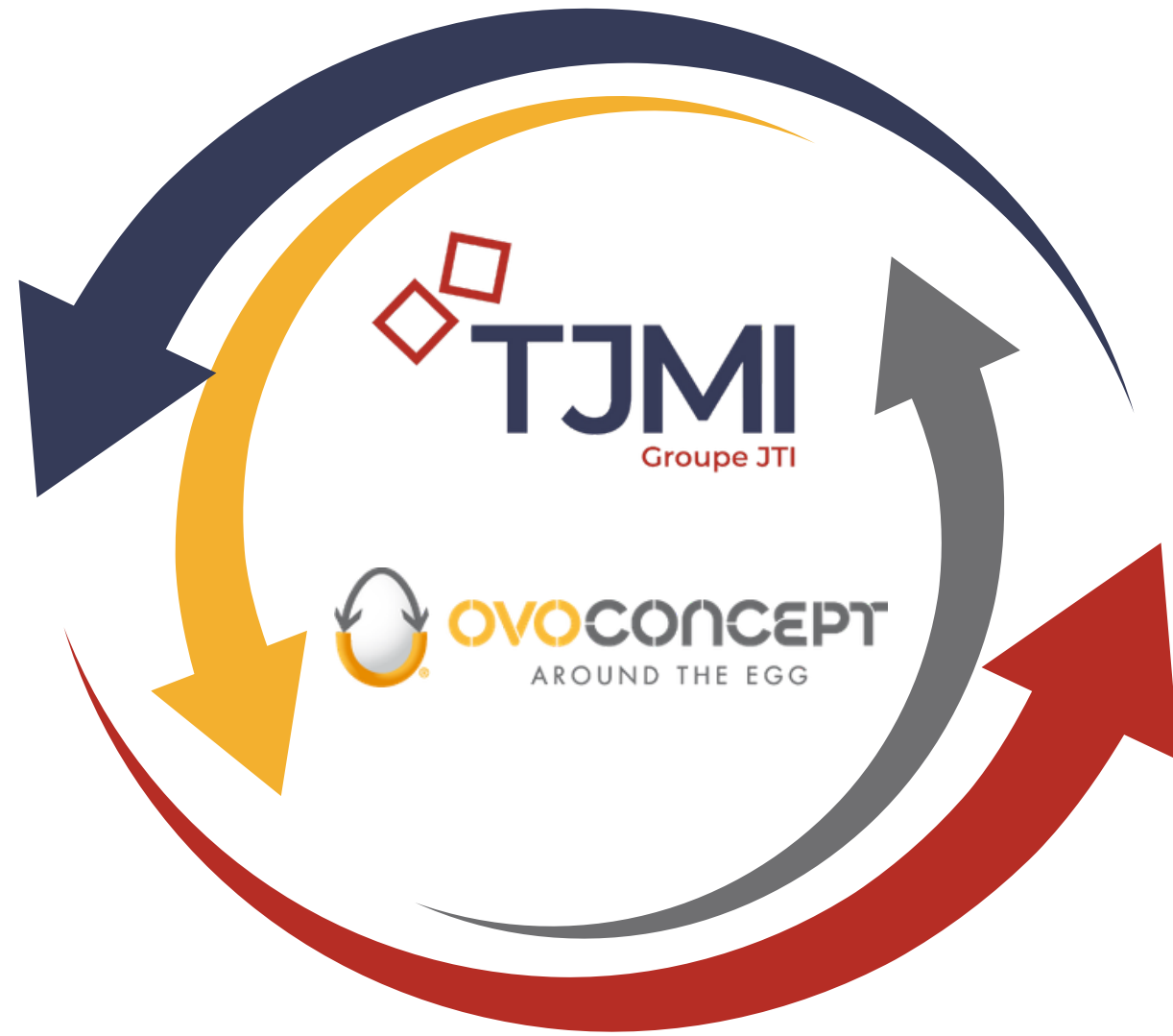
Compliance of equipment in service,
following analysis of reports from
inspection bodies.
(Only on mechanical aspects)



COMPLIANCE - SECURITY

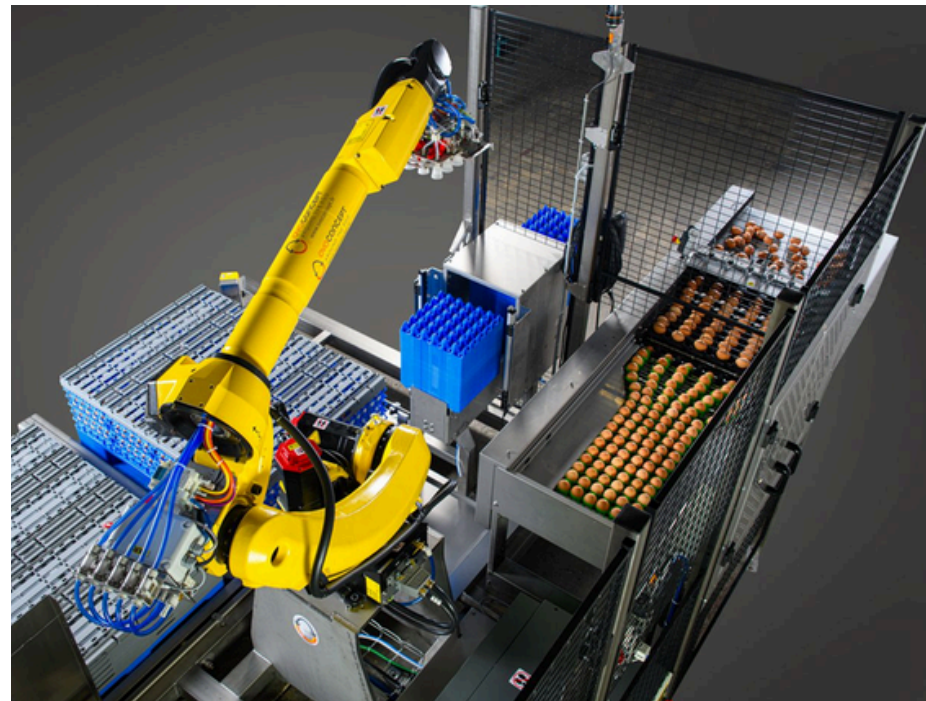


Synergy: the arrival of Ovoconcept

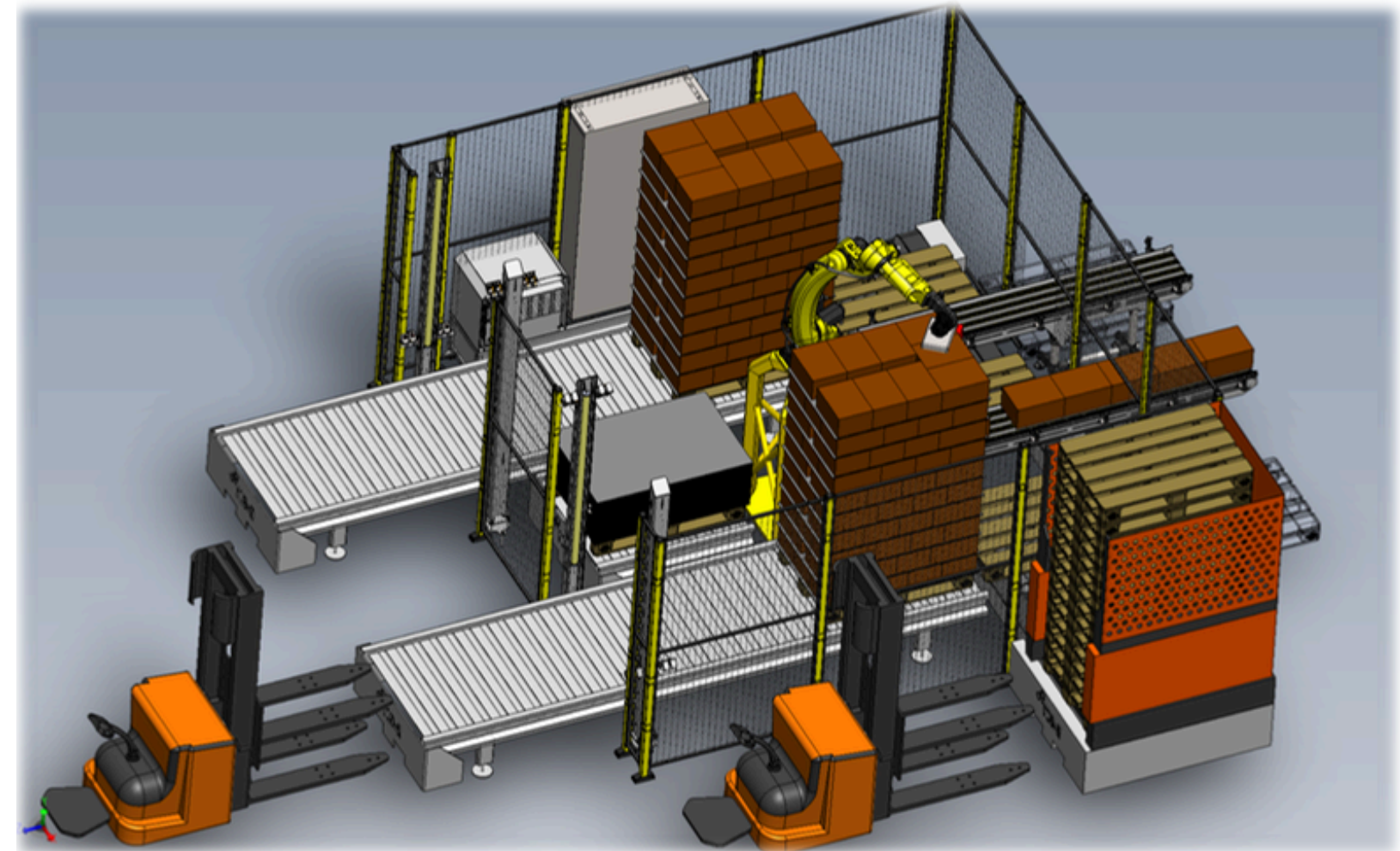


Since 2025: Ovoconcept & TJMI in synergy!

TJMI's strengths: proximity, responsiveness, industrial process, ability to design, manufacture, install and maintain your entire production line and special machines. Add to this Ovoconcept's expertise in robotization and automation and you have the ideal team to support you in optimizing your production and packaging process.



From its design to its manufacturing, its on-site integration and its security: a single team of service providers for better control and fluid and responsive support in your projects.



They trust us



The strength of a group



St Méen (35)
12 employees
1000 m² workshop
Creation in 1990
Joined the Group in 2020
**Boilermaking - Mechanics - Industrial
maintenance**



St-Viaud (44) and Beaumont-en-Véron (37)
55 employees
4000 m² workshop
Creation in 1996
Joined the Group in 2023
**Machining - Boilermaking - Maintenance & new
works - Oil and Gas - Naval - Nuclear**



Bains-sur-Oust (35)
12 employees
1200 m² workshop
Creation in 1998
Joined the Group in 2017
**Boilermaking - Locksmithing - Metalwork -
Maintenance & new works**



Quessoy (22)
44 employees
4000 m² workshop
Creation in 2010
**Industrial process - Special machines -
Gateways - Compliance**



Quessoy (22)
44 employees
4000 m² workshop
Creation in 1992
Joined the Group in 2025
**Engineering, automation
and the poultry process**

Let's discuss your project!

TJMI

 **11 rue du pilon, ZA de l'espérance
22120 Quessoy
FRANCE**

www.tjmi.fr/en 